

# Fitting Instructions for Roman Blinds

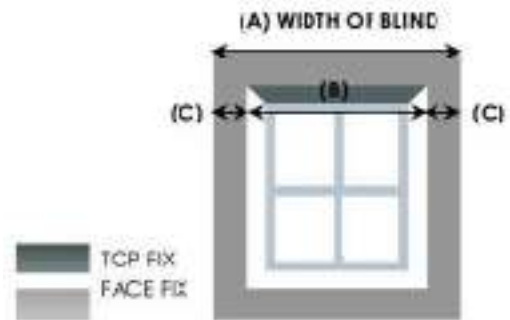
## Step 1

### Outside Recess

If the blind is to be fitted outside the window, ensure that measurement **C** is the same. **C** is simply equal to **A** minus **B**, divided by two. Follow instructions for FACE FIXING.

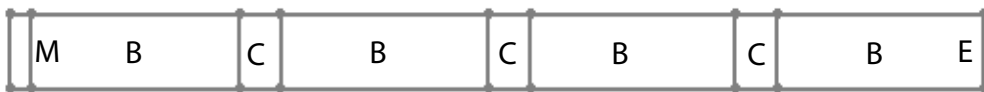
### Inside Recess

If TOP FIXING, fix to the lintel if the window is uPVC, or if there are no obstructions. If FACE FIXING, fit bracket to window frame.



## Step 2

Place bracket into position 5cm from clutch end of the blind and 5cm from the other end. Brackets should then be positioned either side of the lifting cords/cones.

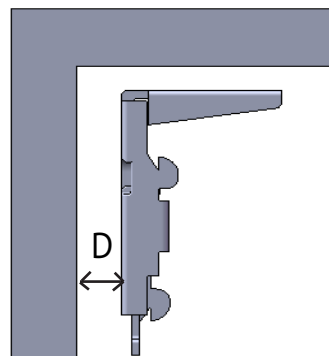
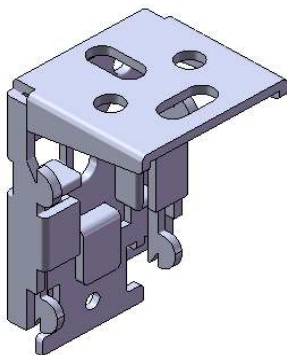


B: Bracket Locations  
M: Clutch Mechanism  
C: Cone Position  
E: End Cap

## Step 3

### Top Fixing

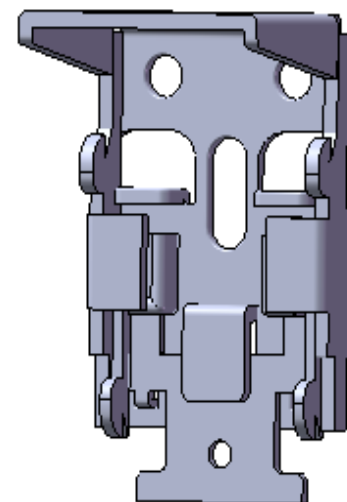
Measure and mark the distance (**D**), allowing for any obstructions (handles) that protrude into the recess area. Fix the bracket into position using the fixing holes.



Top Fix - Fixing Holes

### Face Fixing – Standard Bracket

Affix bracket using fixing holes as shown below.

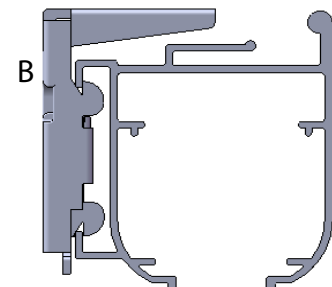
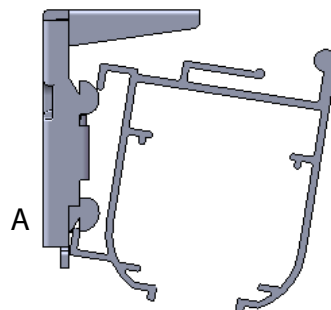


## Step 4

### Fitting the Blind

Angle headrail to fit onto catches at bottom of bracket at 'A'

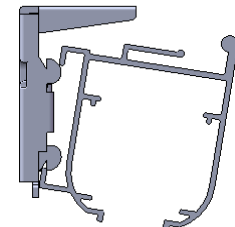
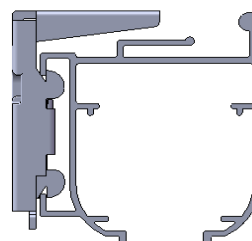
Rotate front of headrail up compressing springs until top lip clicks into place at 'B'



## Removing the blind

For each bracket, starting from one end of the blind:

- 1) Press the headrail up compressing the spring
- 2) Tilt the headrail down at the front, to clear the top rear catches
- 3) Unhook from the bottom rear catches
- 4) Repeat for the next bracket, ensuring that the headrail is adequately supported at the free end



# WARNING

Young children can strangle in the loop of pull cords, chains, tapes that operate window coverings. They can also wrap the cords around their necks. To avoid the risk of strangulation and entanglement, keep cords out of the reach of young children. Move beds, cots and furniture away from window covering cords.

